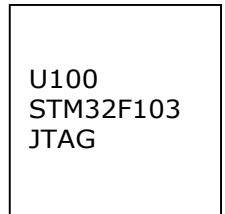
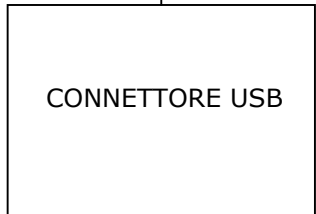


COMSTICK

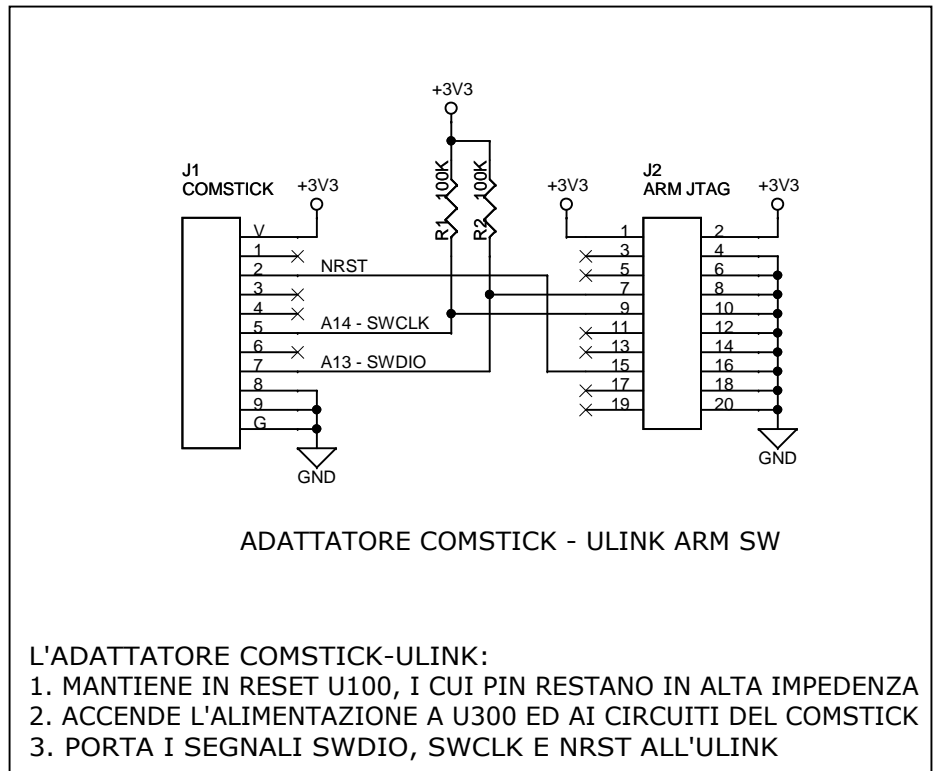


STM32 ComStick  
 Connessioni su U100 STM32F103 JTAG

- 1 - B4 - NJTRST
- 2 - B6 - GPIO
- 3 - A15 - JTDI
- 4 - A14 - JTCK/SWCLK
- 5 - A5 - GPIO
- 6 - A6 - GPIO
- 7 - A13 - JTMS/SWDIO
- 8 - NRST
- 9 - B11 - GPIO
- V - VDD 3v3
- G - VSS

STM32 ComStick  
 Connessioni su U300 STM32F107 TARGET

- 1 - B4 NJTRST
- 2 - NRST
- 3
- 4
- 5 - A14 JTCK/SWCLK
- 6 - B3 JTDO
- 7 - A13 JTMS/SWDIO
- 8
- 9 - PWREN\_N AL MOSFET Q500
- V - VDD 3v3
- G - VSS



<b>Tecnologix srl</b>		Via BIANCOSPINI 6 MILANO ITALY - TEL. +39 0248954230			
Customer Name					
<b>Internal Use</b>					
Project Name					
<b>Adattatore STM32 ComStick per KEIL</b>					
Project Number	Drawing Number	Draw BC	Checked BC	Size	
TLPJ090002	TLHW090002			A4	
Subassembly ASSIEME		Version	Revision	Sheet	of
Date: Friday, February 12, 2010		1	0	1	1