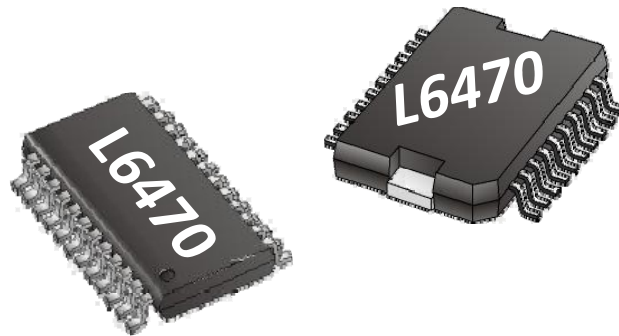
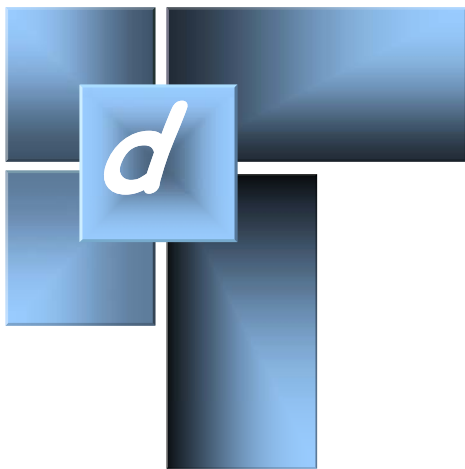




L6470 – the new dSPIN

A quantum leap in microstepping

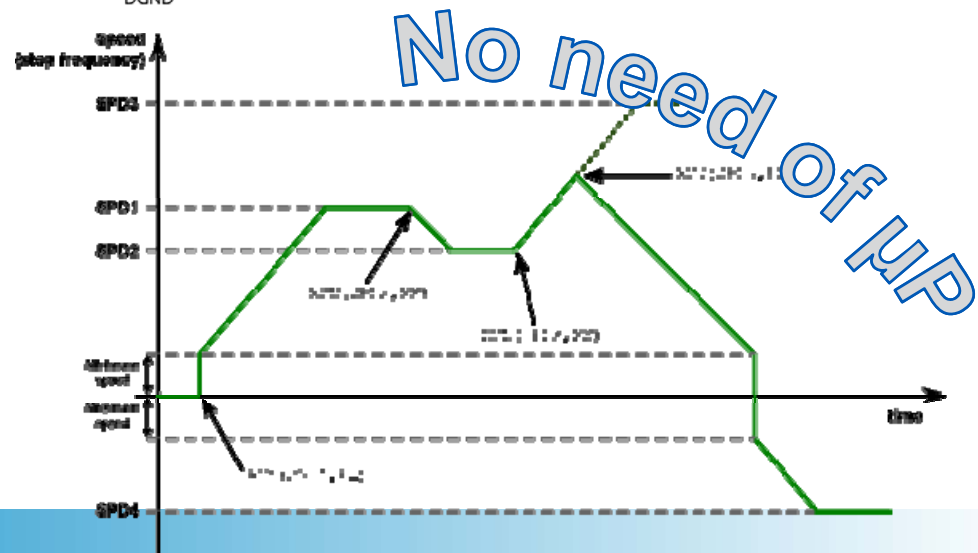
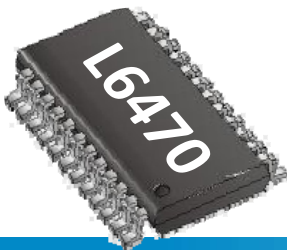
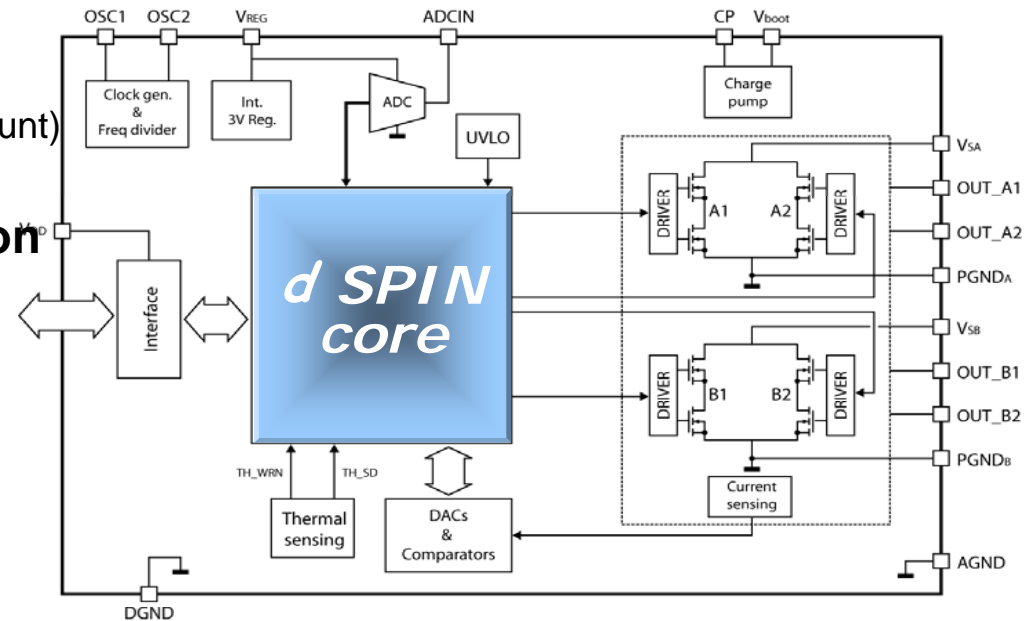


dSPIN - L6470

Monolithic Digital μ stepping Driver

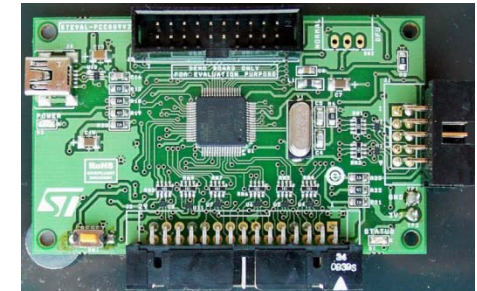
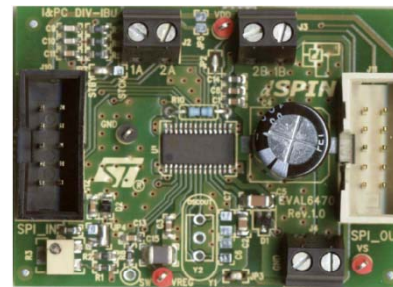


- Supply voltage 8V – 45V
- 3Arms (7A peak), $R_{DS,ON} = 0.28 \Omega$**
- Integrated Current Sensing (no ext.shunt)
- Up to 128 microsteps**
- Innovative Voltage mode operation**
- Sensorless Stall Detection
- Programmable speed profile**
- Programmable positioning**
- 8bit 5Mhz **SPI interface**
(Daisy Chain compatible)
- Integrated 16MHz oscillator
- Integrated 5bit ADC**
- Integrated 3V voltage regulator**
- Over Current, Over Temperature and Under Voltage protections
- PowerSO (ES) and HTSSOP



Available Tools and Documentation

- Sales Codes
 - L6470H -Tray
 - L6470HTR -Tape&Reel
 - ES available on L6470PD
- Product Page
 - <http://www.st.com/dspin>
- Data Sheet
 - <http://www.st.com/stonline/products/literature/ds/16737.pdf>
- Application Note (AN3103)
 - <http://www.st.com/stonline/products/literature/an/16760.pdf>
- d SPIN Evaluation Tool Software
 - http://www.st.com/internet/com/SOFTWARE_RESOURCES/SW_COMPONENT/SW_DEMO/dspin_evaluation_tool_1.6.zip
- Evaluation Board
 - [EVAL6470](#)
- Control boards
 - [STEVAL-PCC009V2](#) (and -V1)
- d SPIN Firmware Library
 - Available on <http://www.st.com/dspin>





L62xxQ

QFN-PowerSPIN

L6206Q, L6207Q, L6208Q, L6235Q!



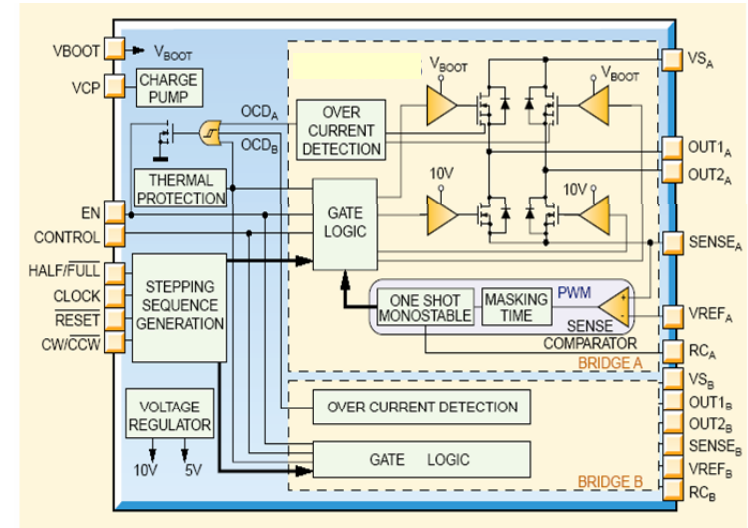
QFN – PowerSPIN – L620xQ now available for high power!



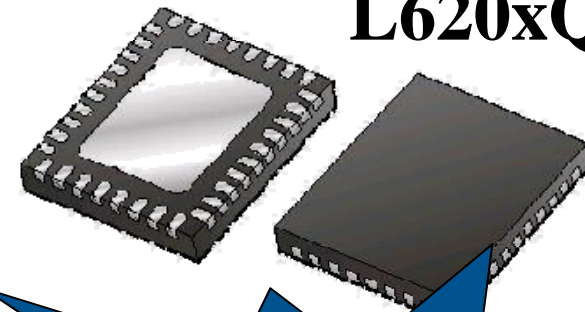
- Operative Voltage: 7V - 52V
- Output Peak Current 5.6A
- $R_{ds(on)} = 0.3\Omega$ typ
- Operating Frequency up to 100KHz
- PWM embedded (L6207/L6208)
- Stepper decoding logic (L6208)
- Full set of protection
 - Cross conduction protection
 - Fixed Over Current Prot. (OCD)
 - Thermal Shut down

What's more than competitors

- Larger voltage range (Max operative of 52V vs. 35V)
- **Better $R_{ds(on)}$** (typ. Value of 0.30Ω vs. 0.35Ω - 0.45Ω)
- More efficient package
 - **QFN features extra miniaturization** (7x7mm)
- Better Over Current Protection (OCD)
 - **No need of external power resistor**
 - cheaper BOM)
 - Lower power dissipation
- **Competitive price!!!**



L620xQ



**Ready for
SOP!**



L6474 - easySPIN

Easy, Flexible & Innovative Microstepping

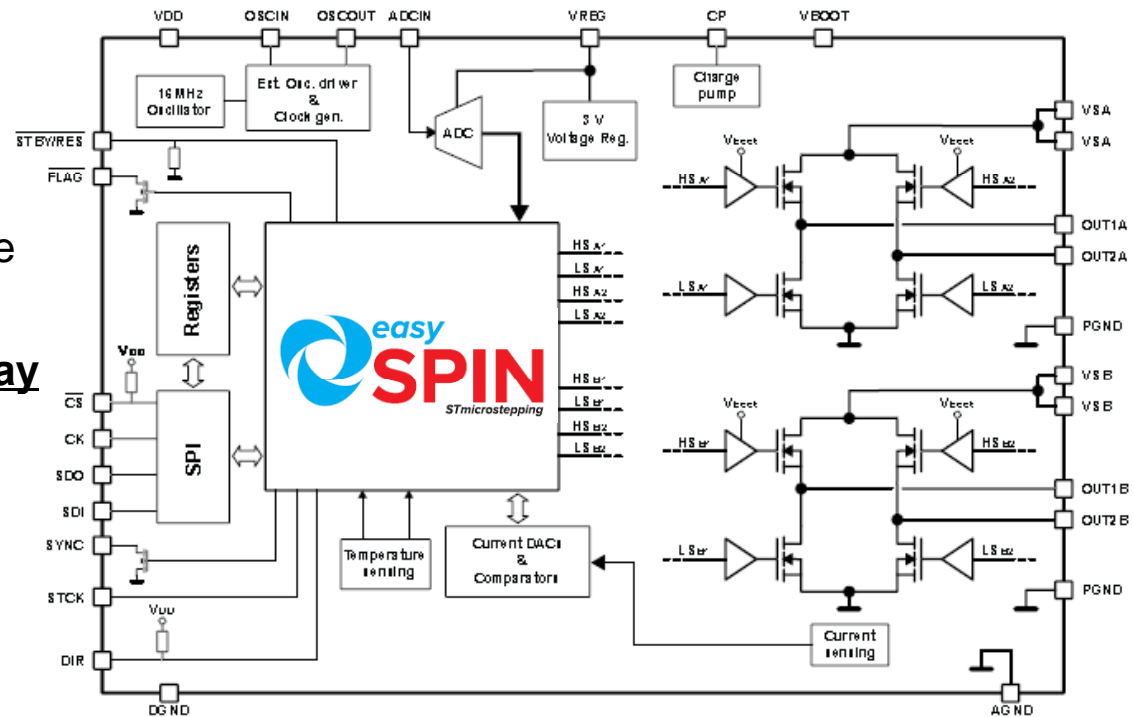


easySPIN - L6474

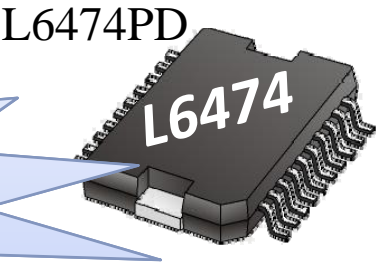
Flexible innovative microstepping motor driver



- Operating voltage: 8 – 45V
- 7.0 A output peak current (3.0 A r.m.s.)
- Low RDSon power MOSFETs
- Programmable power MOS slew-rate
- Up to 1/16 microstepping
- **Current control with adaptive decay**
- **SPI interface**
- Low quiescent and standby currents
- Non dissipative current sensing
- **Full set of Protection**
 - Programmable non dissipative over current (on all power MOS)
 - Two levels over temperature protection
 - UVLO



**ES available
SOP e/o Q4 2011**



L6474H